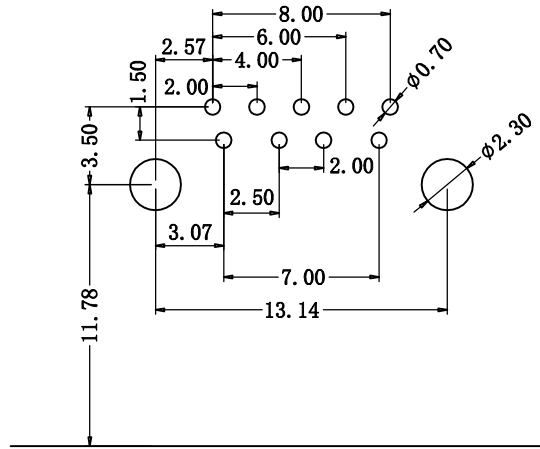
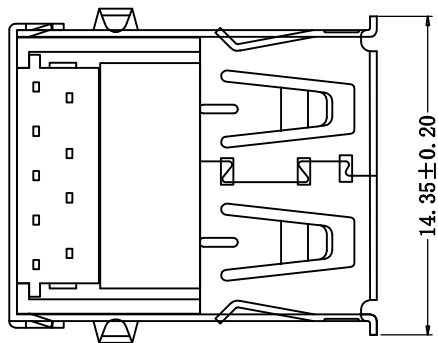
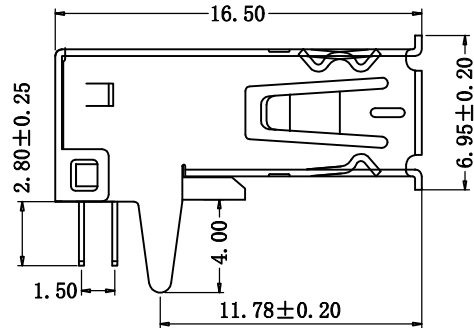
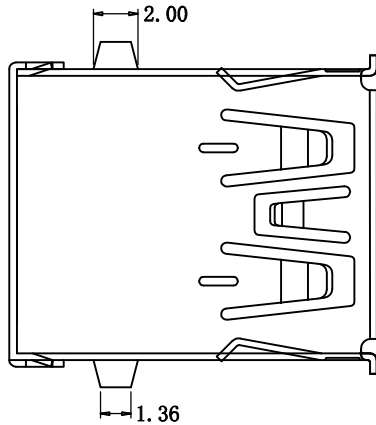
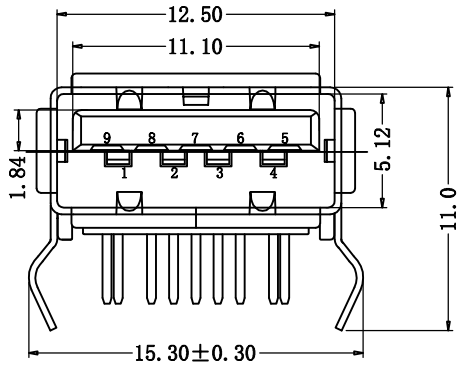


RoHS
Compliant



PCB Layout



- Material:
Contacts : COPPER ALLOY
Insulator: THERMOPLASTIC, UL94V-0, COLOR:BLUE
Shell : COPPER ALLOY
- Mechanical:
Mating: 35N max.
Withdrawal Force: 7N min.
Durability: 1500 cycles min.
- Electrical:
Current-max[amps] 1.5A
Voltage-max[volts] 30V
Withstanding Voltage 500V AC
Contact Resistance [ohms] 30 milliohms max
Insulation Resistance [ohms] 1000 Megohms min
- Plating:
Contacts: 15u" Au PLATED ON CONTACT AREA,
Sn 80u" Min PLATED ON SOLDER TAIL,
50u" NICKEL UNDER PLATING OVERALL
SHELL: Nickel 50u" Min Over All Plating
- Environmental
Temperature Range -55°C~+85°C

ORDER INFORMATION

SERIES NO.	Contact Plated	Packing	Shell Plated	Shell Leg	Housing Color
U30D	XX	3	A	1	C
USB 3.0 DIP Type	G1: Gold Flash G2: 5u" G3: 10u" G4: 15u" G5: 30u" G6: 3u" G7: 6u" G8: 2u"	2: T&R 3: Tray	Brass A: Nickel B: Gold C: Tin Stainless	1: 2XKick 2: 2XStraight 6: 2XSMT	C: Blue LCP W: Blue PA6T N: Blue PBT

REV.	REVISION RECORD	DATE	General Tolerances		
A	Original	05/23/16'	LINEAR 0.0 ±0.35 0.00±0.20	ANGLES ±3°	
			UNIT: mm		TITLE: USB 3.0 A Female DIP RA Shell Kick Leg DWG.NO.: U30DARRXX3A1C-67 REV. A
			A4	NAME DATE	
			APPROVED	JESSIE	
			DESIGNER	CONNER	
			DRAWN	RUBY	SCALE 1 : 1 SHEET 1 OF 1